

VECTECH 970

PRE-HEAT/REFLOW HOT PLATE

I .Specification

Heating Power: 800W

Plate Area: 180mmx200mm

Plate Material: AL

Temperature Sensor: K Type Thermocouple

Range of Adjustable Temperature: 50°C ~ 300°C

Ambient Temperature: 0~40°C

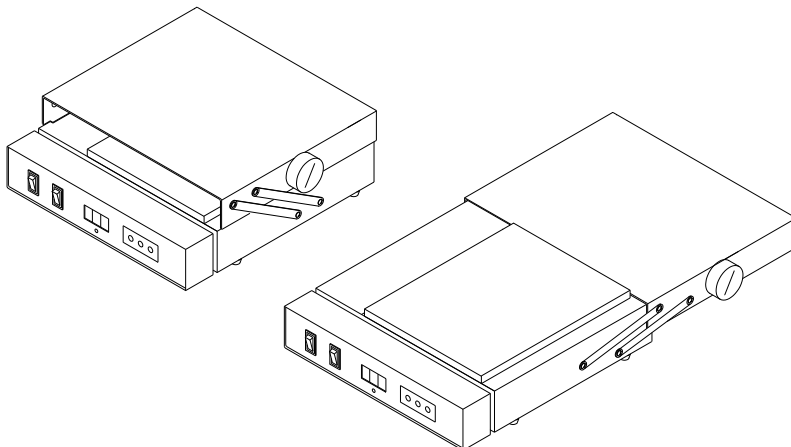
Temperature Stability: $\pm 10^{\circ}\text{C}$

Outer Dimension: 280 (W) x 290 (L) x 100 (H) mm

Weight: 5kg

II . Feature

1. Plate surface temperature distributes equally.



2. Variable closed loop K type thermocouple temperature CPU control, digital display, zero Voltage heater switching.
3. Two switches control power and heating separately. Also read the preheat plate temperature easily under the condition of un-heating.

4. ESD safe by design.
5. External temperature calibration parts.
6. Hinged hood creates an oven like environment for reflow.
7. Two heating states optional (Pre-heating & reflow).

III. Operation

1. Insert the plug into the socket which align with standard.
2. Turn on the power switch.
3. The unit will display the temperature of Pre-heat plate after displaying the set temperature for the 2 seconds.
4. Adjust the button panel if need to change the setting temperature (Ref temperature Adjustment).
5. Turn on the heating switch, the unit begins to heat. It will reach the setting temperature several minutes later.
6. The unit may be used as pre-heat plate or mini reflow oven when removing or covering the plate cover.
7. Turn off heating switch once finishing working.
8. Turn off power switch if the unit is unused for a long time.

Note: Be aware of the high temperature on plate and its surrounding position at work.

IV. Modes of temperature adjustment

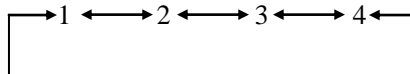
Two modes for setting temperature:

1.Regular setting:

The heating element is powered off when setting regularly.

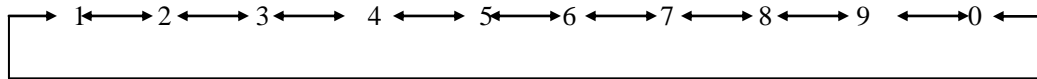
Press ‘*’ 1 second at least.

- 1) First, display the presetting temperature, then the digital position of 100 will flash. It indicates that it has entered into the setting mode of temperature. The digital position of 100 may be adjusted.
- 2) Choose the needed digital to replace the digital position of 100. Use ‘▲’ or ‘▼’ knob to change the display digital. It is shown below.



When the needed digital displays, press the knob of ‘*’ at once. The middle digital (digital position of 10) begins to flash, it indicates that the digital position of 10 may be set.

- 3) Choose the needed digital to replace the digital position of 10. Use ‘▲’ or ‘▼’ knob to change the display digital. It is shown below.



Press the knob of ‘*’. The right digital position (digital position of 1) begins to flash. It indicates the digital position of 1 may be set.

- 4) Choose the needed digital to replace the digital position of 1. Use ‘▲’ or ‘▼’ knob to change the display digital. Use the method shown above to choose the digital position of 10. Press the knob of ‘*’.

Here, press the knob of ‘*’

- a) Input the set temperature into inner memory;
- b) Display the set temperature.
- c) Begin to control heating elements.

Notes: if power supply is cutting off when set temperature, the set temperature will not be memory.

- * If the pressed time of knob has not 1 second, the present set temperature will display 2 seconds. Then display the temperature of Pre-heat plate. When press the knob of ‘*’, the power supply of heating elements will be out off;
- * When the temperature is over the scope, the digital position of 100 will flash again. If the condition takes place, please input correct temperature value again.

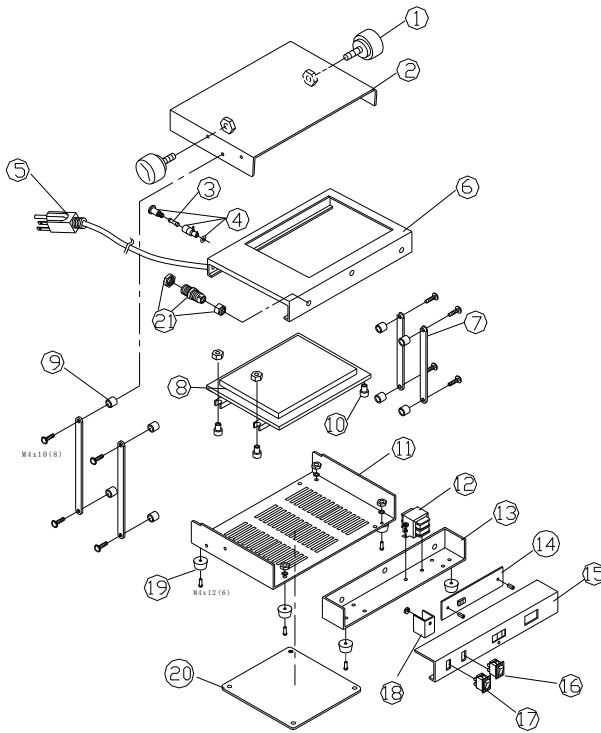
2. Set temperature on - line

In the work, if it is necessary to set temperature quickly and the electricity cannot cut off, the way may be selected.

Temperature rising: Do not press ‘*’ knob and press ‘▲’ knob directly. If so, the setting temperature will raise 1°C and the display window will display the set temperature. When loose the ‘▲’ knob, the display window will relay the set temperature about 2 seconds. If within 2 seconds of time, press the ‘▲’ knob again, the setting temperature will raise 1°C again. If press the ‘▲’ knob and not loose at least 1 second, the setting temperature will raise rapidly. Till the needed temperature reaches, then loose the ‘▲’ knob.

Temperature dropping: Do not press ‘*’ knob and press ‘▼’ knob directly. If so, the setting temperature will drop 1°C and the display window will display the set temperature. When loose the ‘▼’ knob, the display window will relay the set temperature about 2 seconds. If 2 seconds later, press the ‘▼’ knob again, the setting temperature will drop 1°C again. If press the ‘▼’ knob and not loose at least 1 second, the setting temperature will drop rapidly. Till the needed temperature reaches, then loose the ‘▼’ knob.

V. Parts list



Item No.	Part No.	Part Name
1	42059	Handle of screw nut
2	43052	Reflow cover
3		Fuse/10A 125V
		Fuse/5A 250V
4	12013	Grounding
5	11008	Power cord
6	43053	Top cover
7	44158	Support column
8	47118	Heating accessories
9	44159	Pad loop
10	44160	Screw nut
11	43054	Bottom holder
12	18046	Transformer 110V-13V
	18045	Transformer 120V-13V
	18044	Transformer 220V-13V
13	44161	Power socket
14	47119	P.W.B
15	44162	Power cover
16	12017	Switch (black)
17	12021	Switch (red)
18	44163	Temperature extrude plate
19	45030	Rubber pad
20	43055	Bottom plate
21	25027	Waterproof connector